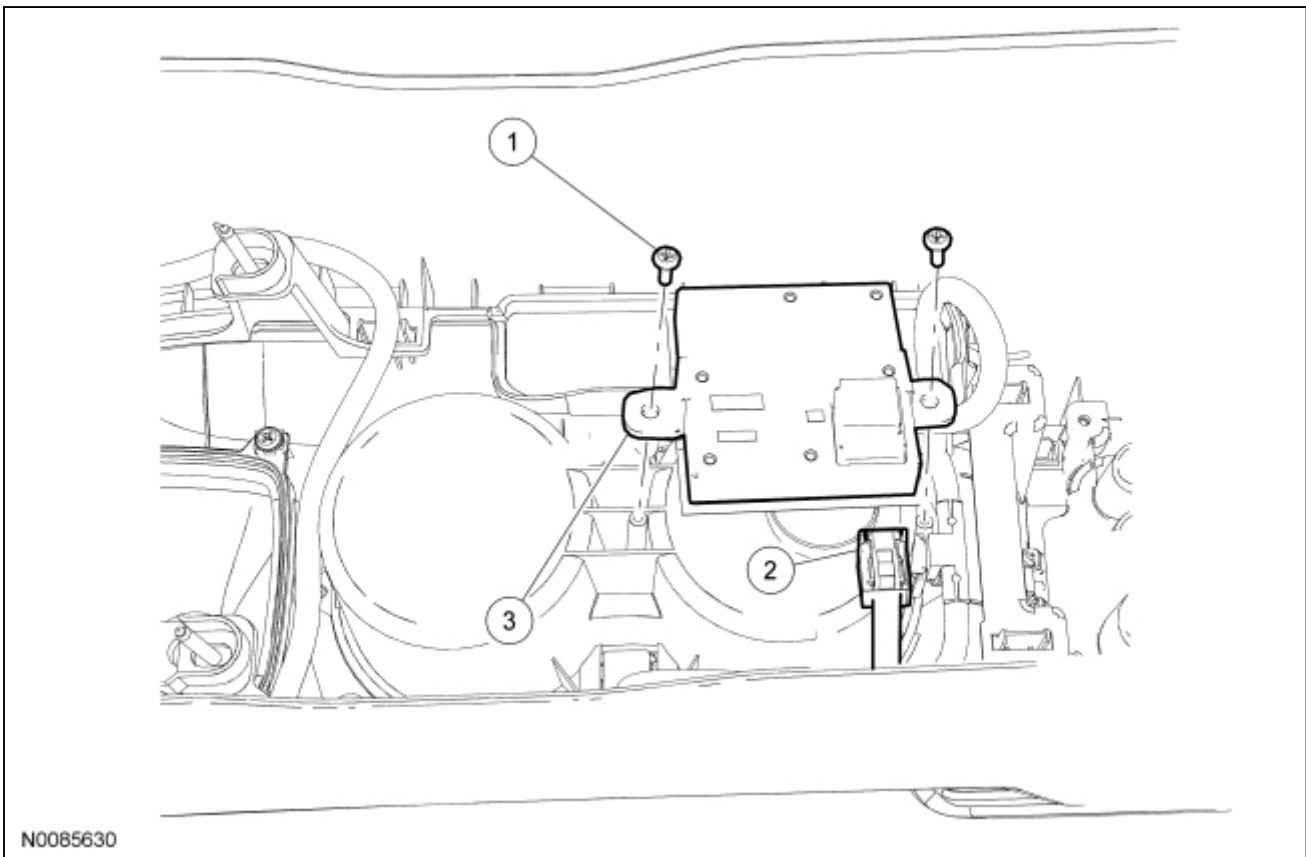


Ambient Lighting Module



N0085630

Item	Part Number	Description
1	W701679	Ambient lighting module screws (2 required)
2	—	Ambient lighting module electrical connector (part of 14D375)
3	13C788	Ambient lighting module

Removal and Installation

1. Remove the floor console finish panel. For additional information, refer to [Section 501-12](#).

NOTE: The ambient lighting module is mounted under the bottom of the floor console finish panel cup holder.

2. Remove the 2 screws and the ambient lighting module.
 - Disconnect the electrical connector.
3. To install, reverse the removal procedure.

